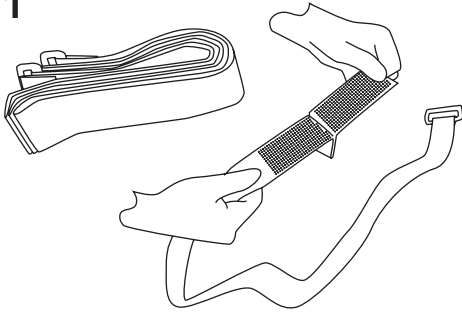


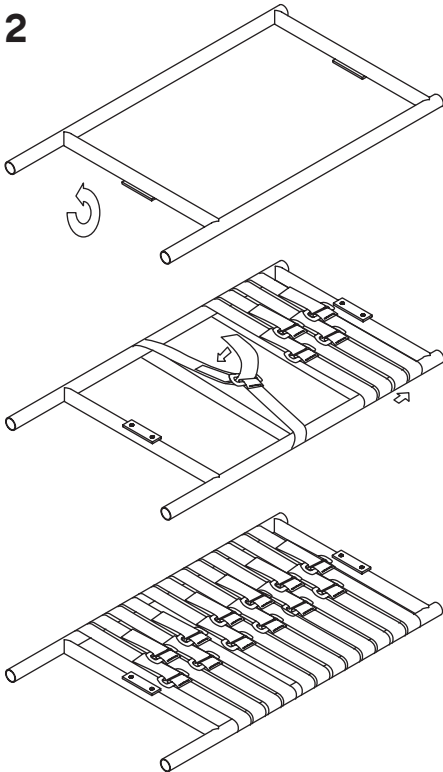
1



GATHER WHAT YOU NEED:

- The OMNIUM Cargo Webbing set (separate the straps into **horizontal** and **vertical** strips).
- **No tools required.**

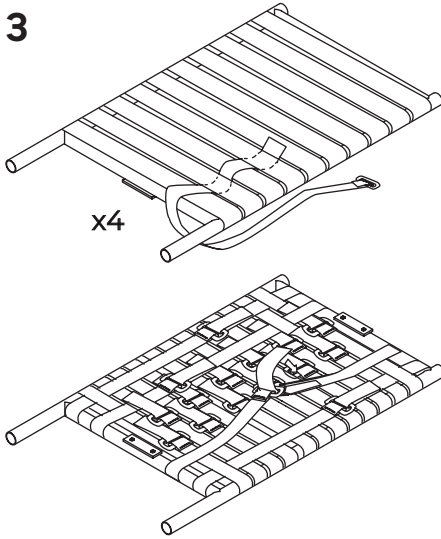
2



ATTACH THE VERTICAL WEBBING:

- Position a vertical strap at the front edge of the rack (or designated rail).
- Wrap the strap around the rack tube.
- Secure it firmly with the Velcro, making sure the strap lies flat and vertical.
- Repeat for each vertical strap until all are evenly spaced along the rack.

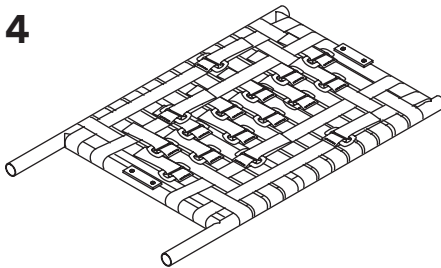
3



ATTACH THE HORIZONTAL WEBBING:

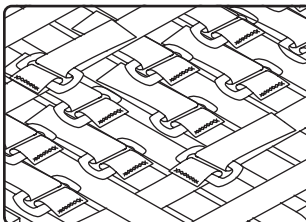
- Take a horizontal strap and position it where you want it across the rack.
- Wrap the strap around the rack tubing.
- Secure with Velcro, ensuring a snug fit.
- Repeat for each horizontal strap, weaving them over and under the vertical straps if desired for extra stability.

4



ATTACH THE VERTICAL WEBBING:

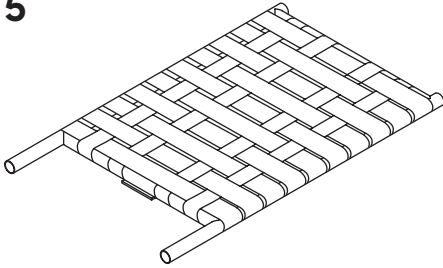
- Once all straps are attached, check the overall tension.
- The Swiss-engineered VTS system allows you to fine-tune the tightness by adjusting the Velcro.
- Make sure straps are pulled tight enough to prevent sagging but not over-tightened.



IMPORTANT - Check Stability

- Lightly pull on the webbing to ensure all straps are firmly attached.
- If any piece shifts, unwrap and re-fasten with more tension.

5



FINAL INSPECTION:

- Confirm the webbing sits flat, with no twists or loose ends.
- Ensure it does not obstruct cargo placement or your riding posture.
- Double-check that no Velcro tails can catch on objects while riding.

DONE! YOUR ONNIUM WEBBING IS NOW PROPERLY INSTALLED, FULLY ADJUSTABLE, AND READY FOR USE.